

方螺母 C 级

Square nuts—Product grade C

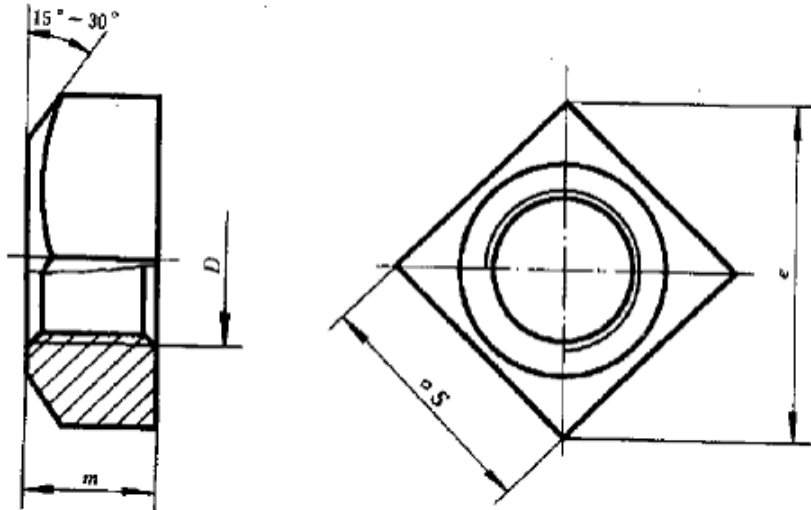


表 1

mm

螺纹规格 <i>D</i>		M 3	M 4	M 5	M 6	M 8	M 10	M 12	(M 14)	M 16	(M 18)	M 20	(M 22)	M 24
<i>S</i>	max	5.5	7	8	10	13	16	18	21	24	27	30	34	38
	min	5.2	6.64	7.64	9.64	12.57	15.57	17.57	20.16	23.16	26.16	29.16	33	35
<i>m</i>	max	2.4	3.2	4	5	6.5	8	10	11	13	15	16	18	19
	min	1.4	2.0	2.8	3.8	5	6.5	8.5	9.2	11.2	13.2	14.2	16.2	16.9
<i>e</i>	min	6.76	8.63	9.93	12.63	16.34	20.24	22.84	26.21	30.11	34.01	37.91	42.9	45.5