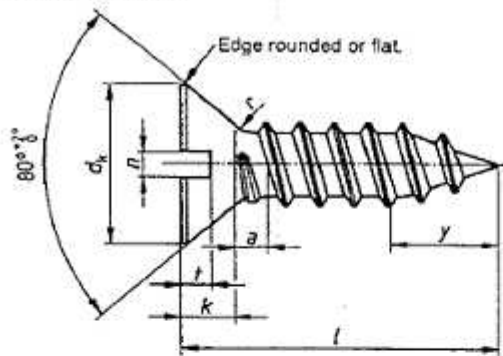


# Slotted countersunk head tapping screws

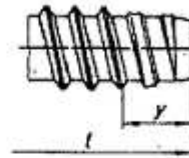
Dimensions in mm

## 1 Dimensions

Type C, with cone point  
(previously, type B)



Type F, with long dog point  
(previously, type BZ)



Other dimensions as shown at left.

Table 1.

Thread size		ST 2,2	ST 2,9	ST 3,5	(ST 3,9)	ST 4,2	ST 4,8	ST 5,5	ST 6,3
$P^1)$		0,8	1,1	1,3	1,3	1,4	1,6	1,8	1,8
$a$	max.	0,8	1,1	1,3	1,3	1,4	1,6	1,8	1,8
$d_k$	max. = nominal size	4,3	5,5	6,8	7,5	8,1	9,5	10,8	12,4
	min.	4	5,2	6,44	7,14	7,74	9,14	10,37	11,97
$k$	≈	1,3	1,7	2,1	2,3	2,5	3	3,4	3,8
$n$	Nominal size	0,6	0,8	1	1	1,2	1,2	1,6	1,6
	min.	0,66	0,86	1,06	1,06	1,26	1,26	1,66	1,66
	max.	0,8	1	1,2	1,2	1,51	1,51	1,91	1,91
$r$	max.	0,8	1,1	1,4	1,5	1,6	1,9	2,1	2,4
$t$	min.	0,4	0,5	0,6	0,7	0,75	0,85	1	1,2
	max.	0,6	0,75	0,95	1,05	1,15	1,35	1,5	1,75
$y$ max.	Type C	2	2,6	3,2	3,5	3,7	4,3	5	6
	Type F	1,6	2,1	2,5	2,7	2,8	3,2	3,6	3,6

Nominal size	Type C		Type F		Approximate mass (7,85 kg/dm <sup>3</sup> ), per 1000 units, in kg							
	min.	max.	min.	max.								
6,5	5,7	7,3	5,7	6,5	0,140	0,242						
9,5	8,7	10,3	8,7	9,5	0,200	0,350	0,548	0,658	0,775	1,10		
13	12,2	13,8	12,2	13	0,270	0,476	0,722	0,880	1,02	1,45	2,11	2,53
16	15,2	16,8	15,2	16	0,330	0,584	0,871	1,07	1,23	1,75	2,49	3,07
19	18,2	19,8	18,2	19		0,692	1,02	1,26	1,44	2,05	2,87	3,61
22	21,2	22,8	20,7	22			1,17	1,45	1,65	2,35	3,26	4,15
25	24,2	25,8	23,7	25			1,32	1,64	1,86	2,65	3,65	4,60
32	30,7	33,3	30,7	32					2,35	3,35	4,56	5,95
38	36,7	39,3	36,7	38						3,95	5,34	7,03

Commercial sizes are those screws for which a value of mass has been specified. These values are for guidance only. The thread size in brackets should be avoided if possible. The core diameter shall be as specified in DIN 7975.

<sup>1)</sup> P = pitch of thread.

Material	Steel
General requirements	As specified in DIN 267 Part 1.
Screw threads and thread ends	As specified in DIN 7970.
Mechanical properties and material	As specified in DIN 267 Part 12.
Limit deviations and geometrical tolerances	Product grade A as specified in ISO 4759 Part 1 <sup>1)</sup> .
Surface finish	As processed. DIN 267 Part 2 shall apply with regard to surface roughness. DIN 267 Part 19 shall apply with regard to permissible surface discontinuities <sup>2)</sup> . DIN 267 Part 9 shall apply with regard to electroplating, other types of surface protection being subject to agreement.
Acceptance inspection	DIN 267 Part 5 shall apply with regard to acceptance inspection.

1) Although ISO 4759 Part 1 covers only screws with ISO metric thread, the tolerances specified there have been adopted by analogy for tapping screws.

2) Although DIN 267 Part 19 covers only screws with ISO metric thread, the specifications for surface discontinuities given there have been adopted by analogy for tapping screws.