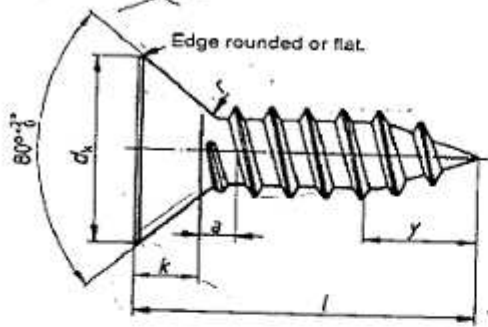


# Cross recessed countersunk head tapping screws

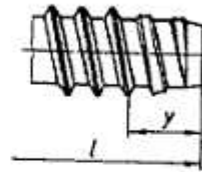
Dimensions in mm

## 1 Dimensions

**Type C**, with cone point  
(previously, type B)

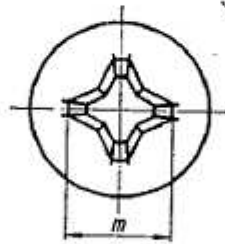


**Type F**, with long dog point  
(previously, type BZ)

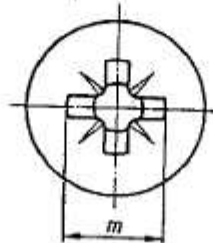


Other dimensions as shown at left.

Cross recess type H



Cross recess type Z



Thread size		ST2,2	ST2,9	ST3,5	(ST3,9)	ST4,2	ST4,8	ST5,5	ST6,3			
$p^{1)}$		0,8	1,1	1,3	1,3	1,4	1,6	1,8	1,8			
$a$	max.	0,8	1,1	1,3	1,3	1,4	1,6	1,8	1,8			
$d_k$	max. = nominal size	4,3	5,5	6,8	7,5	8,1	9,5	10,8	12,4			
	min.	4	5,2	6,44	7,14	7,74	9,14	10,37	11,97			
$k$	—	1,3	1,7	2,1	2,3	2,5	3	3,4	3,8			
$r$	max.	0,8	1,1	1,4	1,5	1,6	1,9	2,1	2,4			
Cross recess No.		1		2			3					
Cross recess	$m$	—	2,5	3	4,2	4,6	4,7	5,1	6,8	7,1		
	Type H	Penetration depth	min.	1,02	1,4	1,62	2,03	2,11	2,59	2,95	3,33	
			max.	1,32	1,7	2,12	2,53	2,62	3,1	3,53	3,91	
	$m$	—	2,4	2,8	4	4,2	4,4	5	6,3	7		
	Type Z	Penetration depth	min.	1,1	1,48	1,6	1,85	2,05	2,64	2,72	3,38	
			max.	1,35	1,73	2,06	2,31	2,51	3,1	3,18	3,84	
$y$ max.	Type C	2	2,6	3,2	3,5	3,7	4,3	5	6			
	Type F	1,6	2,1	2,5	2,7	2,8	3,2	3,6	3,6			
I					Approximate mass (7,85 kg/dm <sup>3</sup> ), per 1000 units, in kg							
Nominal size	Type C		Type F									
	min.	max.	min.	max.								
6,5	5,7	7,3	5,7	6,5	0,140	0,242						
9,5	8,7	10,3	8,7	9,5	0,200	0,350	0,548	0,658	0,775	1,10		
13	12,2	13,8	12,2	13	0,270	0,476	0,722	0,880	1,02	1,45	2,11	2,53
16	15,2	16,8	15,2	16	0,330	0,584	0,871	1,07	1,23	1,75	2,49	3,07
19	18,2	19,8	18,2	19		0,692	1,02	1,26	1,44	2,05	2,87	3,61
22	21,2	22,8	20,7	22			1,17	1,45	1,65	2,35	3,26	4,15
25	24,2	25,8	23,7	25			1,32	1,64	1,86	2,65	3,65	4,69
32	30,7	33,3	30,7	32					2,35	3,35	4,56	5,95
38	36,7	39,3	36,7	38							5,34	7,03
<p>Commercial sizes are those screws for which a value of mass has been specified. These values are for guidance only.  The thread size in brackets should be avoided if possible.  The core hole diameter shall be as specified in DIN 7975.  <sup>1)</sup> <math>P</math> = pitch of thread.</p>												

Material	Steel
General requirements	As specified in DIN 267 Part 1.
Screw threads and thread ends	As specified in DIN 7970.
Cross recesses	As specified in DIN 7962.
Mechanical properties and material	As specified in DIN 267 Part 12.
Limit deviations and geometrical tolerances	Product grade A as specified in ISO 4759 Part 1 <sup>1)</sup> .
Surface finish	As processed. DIN 267 Part 2 shall apply with regard to surface roughness. DIN 267 Part 19 shall apply with regard to permissible surface discontinuities <sup>2)</sup> . DIN 267 Part 9 shall apply with regard to electroplating, other types of surface protection being subject to agreement.
Acceptance inspection	DIN 267 Part 5 shall apply with regard to acceptance inspection.

1) Although ISO 4759 Part 1 covers only screws with ISO metric thread, the tolerances specified there have been adopted by analogy for tapping screws.

2) Although DIN 267 Part 19 covers only screws with ISO metric thread, the specifications for surface discontinuities given there have been adopted by analogy for tapping screws.