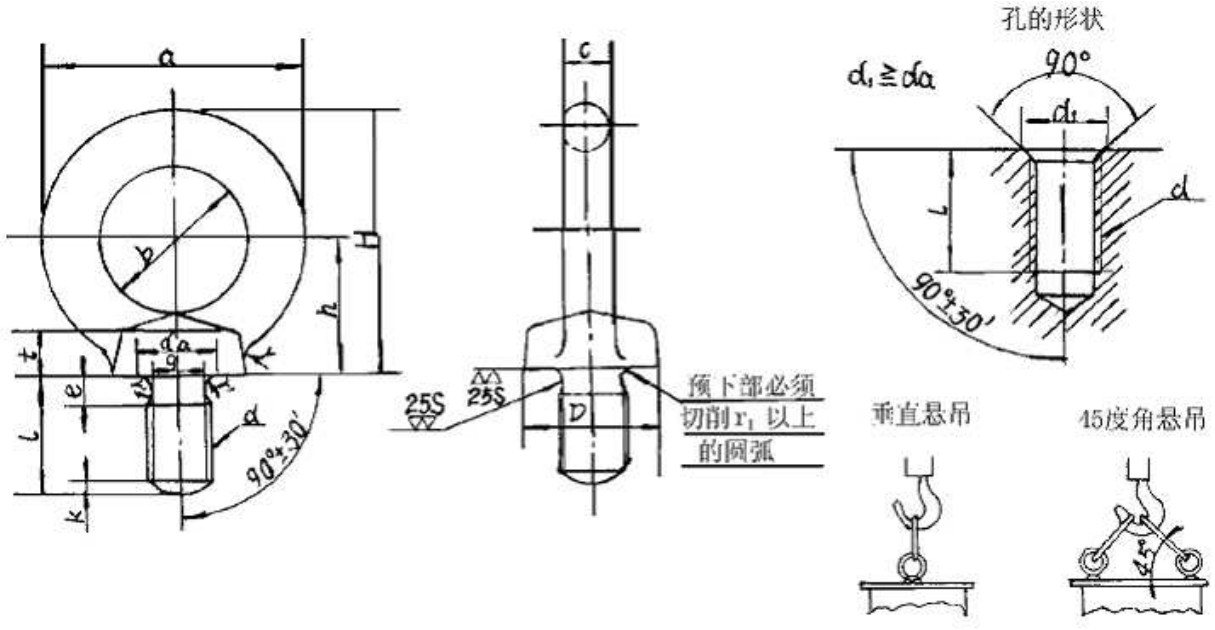


吊 环 螺 栓

JIS B1168 - 1994



单位 mm

螺纹公称 (<i>d</i>)	<i>a</i>	<i>b</i>	<i>c</i>	<i>D</i>	<i>t</i>	<i>h</i>	<i>H</i> (参考)	<i>l</i>	<i>e</i>	<i>g</i> (最小)	<i>r</i> ₁ (最小)	<i>d</i> ₀ (最大)	<i>r</i> ₂ 约	<i>k</i> (约)	工作载荷	
															垂直悬吊 kgf (kN)	45 度角悬吊 (附挂 2 个) kgf (kN)
M8	32.6	20	6.3	16	5	17	33.3	15	3	6	1	9.2	4	1.2	80 (0.785)	80 (0.785)
M10	41	25	8	20	7	21	41.5	18	4	1.7	1.2	11.2	4	1.5	150 (1.47)	150 (1.47)
M12	50	30	10	25	9	26	51	22	5	9.4	1.4	14.2	6	2	220 (2.16)	220 (2.16)
M16	60	35	12.5	30	11	30	60	27	5	13	1.6	18.2	6	2	450 (4.41)	450 (4.41)
M20	72	40	16	35	13	35	71	30	6	16.4	2	22.4	8	2.5	630 (6.18)	630 (6.18)
M24	90	50	20	45	18	45	90	38	8	19.6	2.5	26.4	12	3	950 (9.32)	950 (9.32)
M30	110	60	25	60	22	55	110	45	8	25	3	33.4	15	3.5	1500 (14.7)	1500 (14.7)
M36	133	70	31.5	70	26	65	131.5	55	10	30.3	3	39.4	18	4	2300 (22.6)	2300 (22.6)
M42	151	80	35.5	80	30	75	150.5	65	12	35.6	3.5	45.6	20	4.5	3400 (33.3)	3400 (33.3)
M48	170	90	40	90	35	85	170	70	12	41	4	52.6	22	5	4500 (44.1)	4500 (44.1)
M64	210	110	50	110	42	105	210	90	14	55.7	5	71	25	6	9000 (88.3)	9000 (88.3)
M80×6	266	140	63	130	50	130	263	105	14	71	5	87	35	6	15000 (147)	15000 (147)
(M90×6)	302	160	71	150	55	150	301	120	14	81	5	97	35	6	18000 (177)	18000 (177)
(M100×6)	340	180	80	170	60	165	335	130	14	91	5	108	40	6	20000 (196)	20000 (196)