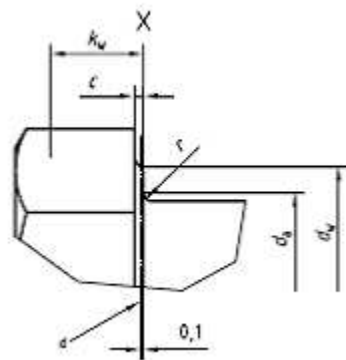
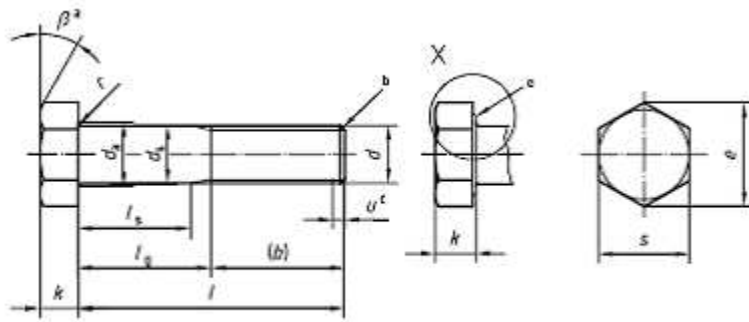


Hexagon head bolts — Product grade C



- a $\beta = 15^\circ$ to 30°
- b End without special requirements
- c Incomplete thread $u \leq 2P$
- d Reference datum for d_w
- e Washer face permissible

Table 3 — Specifications and reference standards

Material		Steel
General requirements	International Standard	ISO 8992
Thread	Tolerance	8g
	International Standards	ISO 724, ISO 965-1
Mechanical properties	Property class ^a	$d \leq 39$ mm: 3.6, 4.6, 4.8 $d > 39$ mm: as agreed
	International Standard	$d \leq 39$ mm: ISO 898-1 $d > 39$ mm: as agreed
Tolerances	Product grade	C
	International Standard	ISO 4759-1
Finish and/or coating		As processed Requirements for electroplating are covered in ISO 4042. Requirements for non-electrolytically applied zinc flake coatings are covered in ISO 10883. If different electroplating requirements are desired or if requirements are needed for other finishes, they should be agreed between customer and supplier.
Acceptability		For acceptance procedure, see ISO 3269.
^a For other property classes see ISO 898-1.		